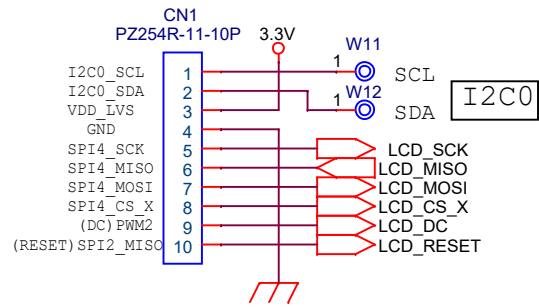
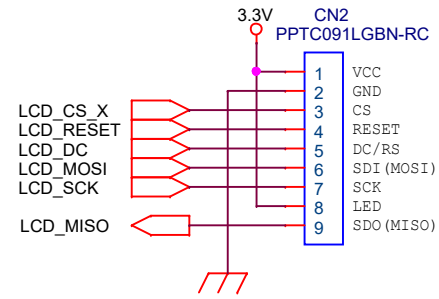


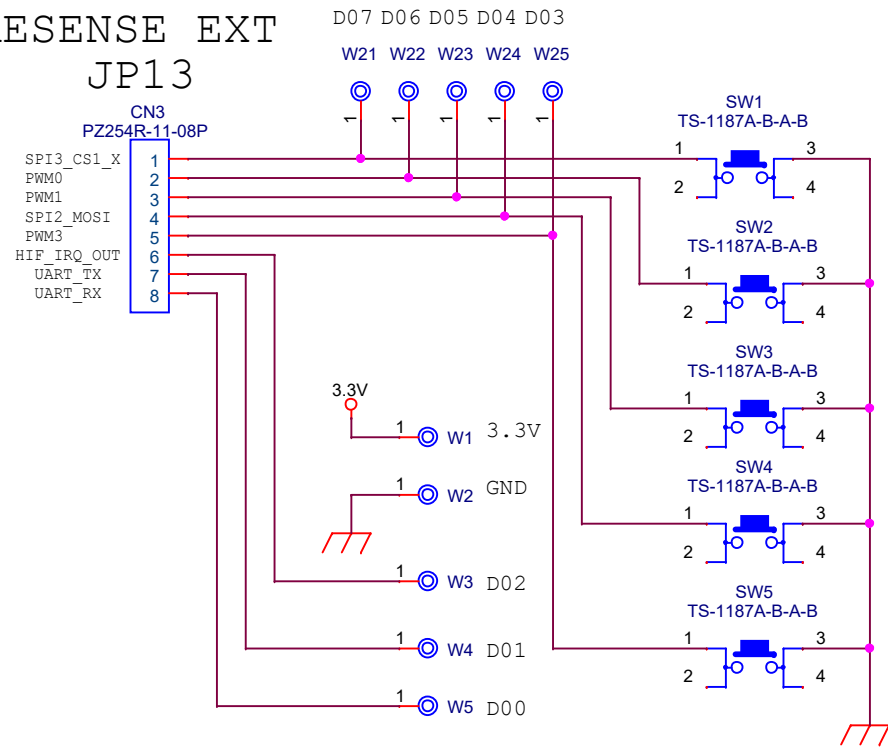
SPRESENSE EXT JP2



DISPLAY



SPRESENSE EXT JP13



Title DISPLAY		
Size A4	Document Number <Doc>	Rev 4.0
Date:	Wednesday, July 14, 2021	Sheet 1 of 1