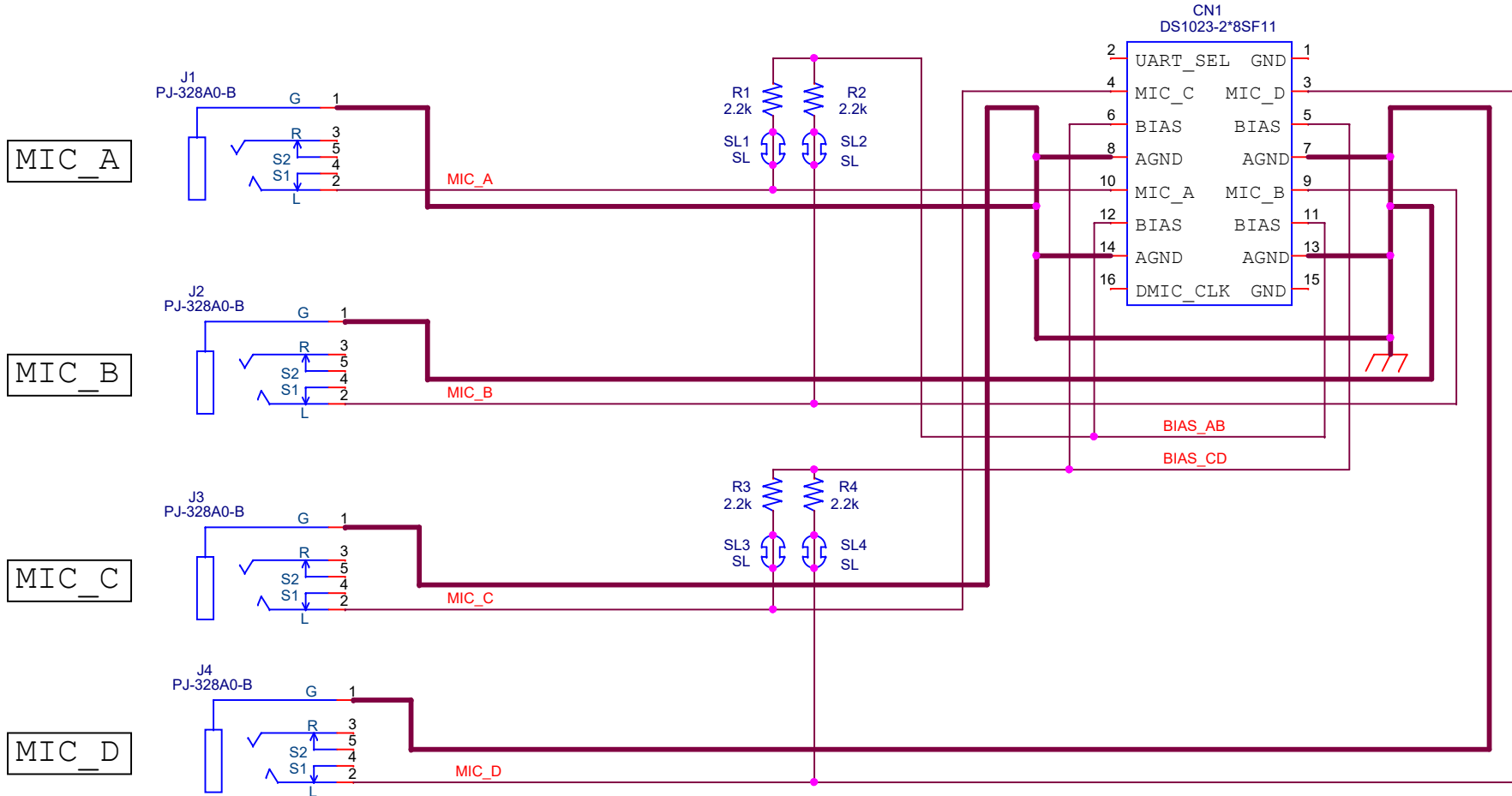


To SPRESENSE EXT JP10



Title		
MIC		
Size	Document Number	Rev
A4	<Doc>	2.0
Date:	Wednesday, April 07, 2021	Sheet 1 of 1